



SCHMID-M

Product Release of **SPVxx-27BxxR2** Series

— 5 ~ 15 Watts DC/DC Converter for Photovoltaic Industry

MORE THAN RELIABILITY

Introduction

Background

As we all know, the photovoltaic power station is located at remote areas, which makes it difficult to supply power for the control systems. Usually, engineers power the circuits by batteries or the mains supply. However, both of the methods will increase the cost of setting the wire or batteries. But now SCHMID-M launches the SPV Series products to solve this problem.

Solution

SCHMID-M SPVxx-27BxxR2 Series power modules (CE approval) offer an ultra-wide input voltage range of 100-1000VDC and a temperature range of -40°C to $+70^{\circ}\text{C}$, which enable the control systems can get power from the solar panels directly and ensure the reliable operation. The modules feature an isolation voltage of 4000VAC, output over-voltage protection, short circuit protection and input against reverse protection which ensure the stability of the circuit.



SPVxx-27BxxR2

MORE THAN RELIABILITY

SPVxx-27BxxR2 Features

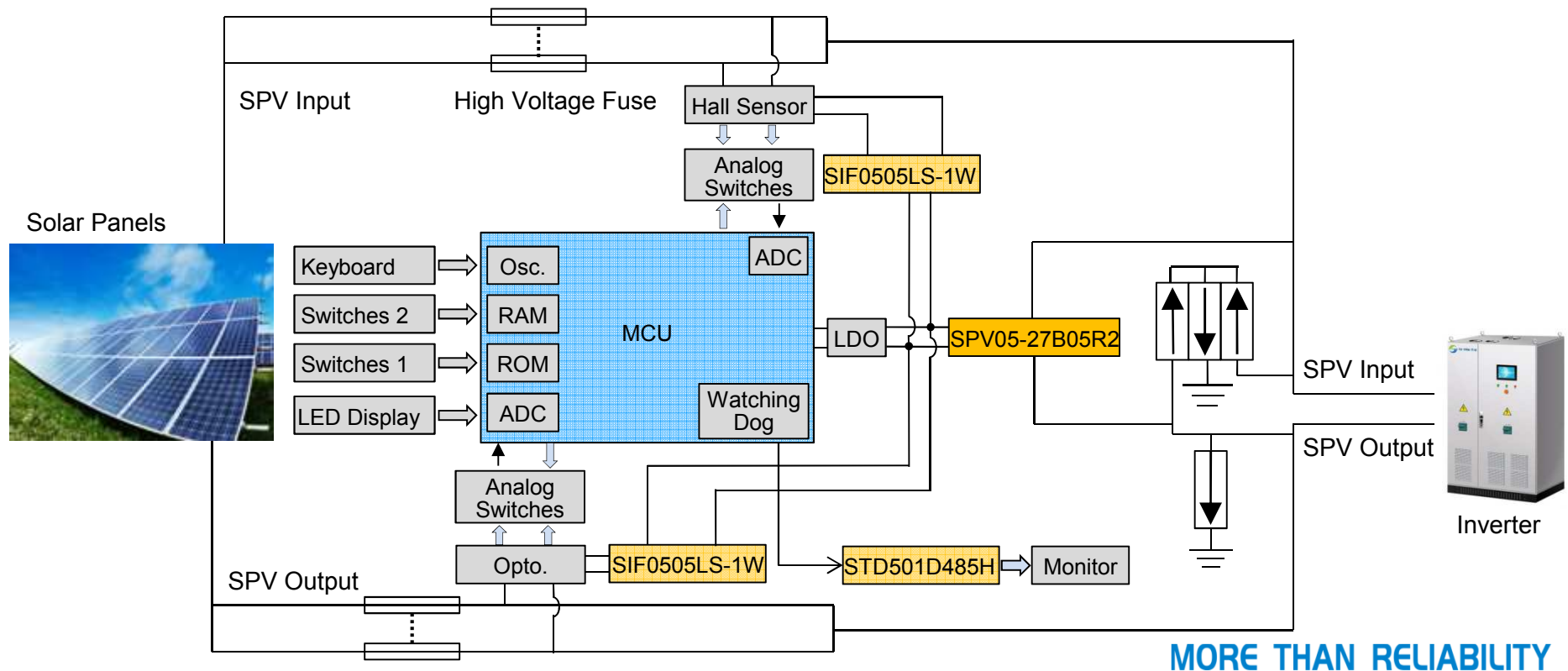
- **Ultra-wide Input Range:**
100~1000 VDC available;
- **Multiple Protections:**
 - Output over-voltage protection,
 - Short-circuit protection (automatic recovery),
 - Input reverse voltage protection
- **Isolation Voltage:**
4000VAC;
- **Size:**
70.00*48.00*23.50mm;
- **Special Features:**
No requirement for derating at -40 ~ +70°C and 150~1000VDC input;

MORE THAN RELIABILITY

Application for Photovoltaic Monitoring System

In traditional photovoltaic monitoring system, generally we need an additional power supply like battery or the mains supply to power the system.

But SCHMID-M SPV15-27BxxR2 offers 100-1000VDC input voltage that make it possible to get power from the solar panels, convert the unstable voltage to 12V/15V/24V, and finally power the system. At the meantime, the multiple protections ensure the reliable operation of power supply and load.





Purchase Information

Certification	CE
Sample	Available
Order Time	Available



Thank you !

MORE THAN RELIABILITY