

SPAW/SPBW

2-3W WIDE INPUT RANGE



FEATURES

- LEAD FREE
- 1500-3000VDC ISOLATION
- SINGLE IN LINE PACKAGE
- UP TO 2-3W REGULATED OUTPUT POWER
- NO EXTERNAL COMPONENTS REQUIRED
- INTERNAL FILTERING
- 100% BURN IN
- HIGH EFFICIENCY
- UL 94V-0 PACKAGE MATERIAL
- CUSTOM SOLUTIONS AVAILABLE
- ROHS COMPLIANT



OUTPUT SPECIFICATIONS		INPUT SPECIFICATIONS	
Voltage Set-point Accuracy	+/-2% max.	Input Voltage Range	2:1 or 4:1 Input Range
Temperature Coefficient	+/-0.05%/°C	Input Filter	Capacitor Type
Ripple & Noise(20MHz BW) ¹	Output=3.3V 50mVp-p max. 100mVp-p max.	Protection	Fuse Recommended
Line Regulation ²	+/-0.5% max.	Start up Time (Nominal Input)	10mS max.
	Output=3.3V +/-1% max.	Remote ON/OFF Control	Table 1
Load Regulation ³	+/-0.5% max.		
	Output=3.3V +/-1% max.		
Minimum Load	20% of Full Load	GENERAL SPECIFICATIONS	
Short Circuit Protection	Continuous	Efficiency	70% min.
Short Circuit Restart	Automatic	Isolation Voltage ⁴	1500VDC or 3000VDC
Over Load Protection	150% typ.	Isolation Resistance	10 ⁹ ohms min.
Capacitive Load	5V: 1000uF max. 12V: 470uF max. 15V: 330uF max. Other Output: ±220uF max.	Isolation Capacitance	80pF max.
		Switching Frequency	100 KHz min.
		MTBF ⁵	>400,000 Hours
		Weight	4.8g typ.
		Case Material	Non-Conductive Plastic
		Case Size	21.80mm*9.20mm*11.10mm
Operating Temperature	SPAW Series: -40 °C to 85 °C SPBW Series: -40 °C to 71 °C	Potting Material	Epoxy(UL94V-0)
Case Temperature	+95 °C max.	Radiated Emissions	EN55022 Class B
Storage Temperature	-55 °C to +105 °C		
Humidity	95% max.		
Cooling	Free-Air Convection		

ALL SPECIFICATIONS TYPICAL AT NOMINAL LINE, FULL LOAD AND 25 °C UNLESS OTHERWISE NOTED.

¹ Measured with 1uF ceramic capacitor connects to the output pins.

² High Line to Low Line.

³ Load Regulation is for output load current change from 20% to 100%.

⁴ 1500VDC for 10 seconds 3000VDC for 3 seconds.

⁵ MIL-HDBK-217F @25 °C, Ground Benign.

● **SELECTION GUIDE (1)**
2:1 2W OUTPUT

MODEL NUMBER	INPUT VOLTAGE (VDC)	OUTPUT VOLTAGE (VDC)	OUTPUT CURRENT (mA)	INPUT ⁶		EFF (%) ⁷	ISOLATION ⁸ (VDC)	PACKAGE
				CURRENT(mA)				
				FULL LOAD	NO LOAD			
SPAWS-0503.3(-3K)	4.5-9	3.3	500	465	50	71	1500(3000)	H
SPAWS-0505(-3K)	4.5-9	5	400	555	50	72	1500(3000)	H
SPAWS-0509(-3K)	4.5-9	9	222	519	50	77	1500(3000)	H
SPAWS-0512(-3K)	4.5-9	12	150	480	50	75	1500(3000)	H
SPAWS-0515(-3K)	4.5-9	15	120	456	50	79	1500(3000)	H
SPAWS-1203.3(-3K)	9-18	3.3	500	205	30	67	1500(3000)	H
SPAWS-1205(-3K)	9-18	5	400	219	20	76	1500(3000)	H
SPAWS-1209(-3K)	9-18	9	222	225	20	74	1500(3000)	H
SPAWS-1212(-3K)	9-18	12	168	209	20	80	1500(3000)	H
SPAWS-1215(-3K)	9-18	15	133	209	20	80	1500(3000)	H
SPAWS-1224(-3K)	9-18	24	83	213	20	78	1500(3000)	H
SPAWD-1205	9-18	+/-5	+/-200	225	20	74	1500	H
SPAWD-1212	9-18	+/-12	+/-83	225	20	74	1500	H
SPAWD-1215	9-18	+/-15	+/-67	225	20	74	1500	H
SPAWS-2403.3(-3K)	18-36	3.3	500	93	12	74	1500(3000)	H
SPAWS-2405(-3K)	18-36	5	400	110	12	76	1500(3000)	H
SPAWS-2409(-3K)	18-36	9	222	111	13	75	1500(3000)	H
SPAWS-2412(-3K)	18-36	12	168	104	11	80	1500(3000)	H
SPAWS-2415(-3K)	18-36	15	133	105	11	79	1500(3000)	H
SPAWS-2424(-3K)	18-36	24	83	107	11	78	1500(3000)	H
SPAWD-2405	18-36	+/-5	+/-200	112	12	74	1500	H
SPAWD-2412	18-36	+/-12	+/-83	112	12	74	1500	H
SPAWD-2415	18-36	+/-15	+/-67	106	12	79	1500	H
SPAWS-4803.3(-3K)	36-75	3.3	500	46	8	75	1500(3000)	H
SPAWS-4805(-3K)	36-75	5	400	56	8	74	1500(3000)	H
SPAWS-4809(-3K)	36-75	9	222	55	8	75	1500(3000)	H
SPAWS-4812(-3K)	36-75	12	168	51	8	82	1500(3000)	H
SPAWS-4815(-3K)	36-75	15	133	51	8	82	1500(3000)	H
SPAWS-4824(-3K)	36-75	24	83	54	8	77	1500(3000)	H
SPAWD-4805	36-75	+/-5	+/-200	56	8	74	1500	H
SPAWD-4812	36-75	+/-12	+/-83	54	8	77	1500	H
SPAWD-4815	36-75	+/-15	+/-67	54	8	77	1500	H

Note: Other input to output voltages may be available. Please contact factory.

FOR EXAMPLE: SPAWS-1205
(H PACKAGE 2W SINGLE OUTPUT 1500VDC ISOLATION)
SPAWS-1205-3K
(H PACKAGE 2W SINGLE OUTPUT 3000VDC ISOLATION)

⁶ NOMINAL INPUT VOLTAGE.

⁷ NOMINAL INPUT VOLTAGE, FULL LOAD.

⁸ 1500VDC for 10 seconds 3000VDC for 3 seconds.

● **SELECTION GUIDE (2)**
2:1 2W OUTPUT

MODEL NUMBER	INPUT VOLTAGE (VDC)	OUTPUT VOLTAGE (VDC)	OUTPUT CURRENT (mA)	INPUT ⁹ CURRENT(mA)		EFF (%) ¹⁰	ISOLATION ¹¹ (VDC)	PACKAGE
				FULL LOAD	NO LOAD			
SPAWS-0503.3J	4.5-9	3.3	500	465	50	71	1500	J
SPAWS-0505J	4.5-9	5	400	555	50	72	1500	J
SPAWS-0509J	4.5-9	9	222	519	50	77	1500	J
SPAWS-0512J	4.5-9	12	150	500	50	72	1500	J
SPAWS-0515J	4.5-9	15	120	500	50	72	1500	J
SPAWS-1203.3J	9-18	3.3	500	205	30	67	1500	J
SPAWS-1205J	9-18	5	400	219	20	76	1500	J
SPAWS-1209J	9-18	9	222	225	20	74	1500	J
SPAWS-1212J	9-18	12	168	213	20	78	1500	J
SPAWS-1215J	9-18	15	133	213	20	78	1500	J
SPAWS-1224J	9-18	24	83	213	20	78	1500	J
SPAWS-2403.3J	18-36	3.3	500	93	12	74	1500	J
SPAWS-2405J	18-36	5	400	112	12	74	1500	J
SPAWS-2409J	18-36	9	222	111	13	75	1500	J
SPAWS-2412J	18-36	12	168	107	11	78	1500	J
SPAWS-2415J	18-36	15	133	107	11	78	1500	J
SPAWS-2424J	18-36	24	83	107	11	78	1500	J
SPAWS-4803.3J	36-75	3.3	500	52	8	67	1500	J
SPAWS-4805J	36-75	5	400	56	8	74	1500	J
SPAWS-4809J	36-75	9	222	55	8	75	1500	J
SPAWS-4812J	36-75	12	168	51	8	82	1500	J
SPAWS-4815J	36-75	15	133	51	8	82	1500	J
SPAWS-4824J	36-75	24	83	54	8	77	1500	J

Note: Other input to output voltages may be available. Please contact factory.

⁹ NOMINAL INPUT VOLTAGE.

¹⁰ NOMINAL INPUT VOLTAGE, FULL LOAD.

¹¹ 1500VDC for 10 seconds 3000VDC for 3 seconds.

● **SELECTION GUIDE (3)**
4:1 2W OUTPUT

MODEL NUMBER	INPUT VOLTAGE (VDC)	OUTPUT VOLTAGE (VDC)	OUTPUT CURRENT (mA)	INPUT ¹²		EFF (%) ¹³	ISOLATION ¹⁴ (VDC)	PACKAGE
				CURRENT(mA)				
				FULL LOAD	NO LOAD			
SPAWS-1203.3T(-3K)	9-36	3.3	500	205	30	70	1500(3000)	H
SPAWS-1205T(-3K)	9-36	5	400	222	20	74	1500(3000)	H
SPAWS-1209T(-3K)	9-36	9	222	225	20	74	1500(3000)	H
SPAWS-1212T(-3K)	9-36	12	165	213	20	78	1500(3000)	H
SPAWS-1215T(-3K)	9-36	15	133	213	20	78	1500(3000)	H
SPAWS-1224T(-3K)	9-36	24	83	213	20	78	1500(3000)	H
SPAWD -1215T	9-36	+/-15	+/-67	220	20	76	1500	H
SPAWS-2403.3T(-3K)	18-75	3.3	500	98	12	70	1500(3000)	H
SPAWS-2405T(-3K)	18-75	5	400	112	12	74	1500(3000)	H
SPAWS-2409T(-3K)	18-75	9	222	112	13	74	1500(3000)	H
SPAWS-2412T(-3K)	18-75	12	165	107	11	78	1500(3000)	H
SPAWS-2415T(-3K)	18-75	15	133	107	11	78	1500(3000)	H
SPAWS-2424T(-3K)	18-75	24	83	107	11	78	1500(3000)	H

Note: Other input to output voltages may be available. Please contact factory.

¹² **NOMINAL INPUT VOLTAGE.**

¹³ **NOMINAL INPUT VOLTAGE, FULL LOAD.**

¹⁴ **1500VDC for 10 seconds 3000VDC for 3 seconds.**

● **SELECTION GUIDE (4)**
2:1 3W OUTPUT

MODEL NUMBER	INPUT VOLTAGE (VDC)	OUTPUT VOLTAGE (VDC)	OUTPUT CURRENT (mA)	INPUT ¹⁵		EFF (%) ¹⁶	ISOLATION ¹⁷ (VDC)	PACKAGE
				CURRENT(mA)				
				FULL LOAD	NO LOAD			
SPBWS-0503.3(-3K)	4.5-9	3.3	700	641	100	72	1500(3000)	H
SPBWS-0505(-3K)	4.5-9	5	600	800	100	75	1500(3000)	H
SPBWS-0509(-3K)	4.5-9	9	333	778	100	77	1500(3000)	H
SPBWS-0512(-3K)	4.5-9	12	250	779	100	77	1500(3000)	H
SPBWS-0515(-3K)	4.5-9	15	200	779	100	77	1500(3000)	H
SPBWD-0505	4.5-9	+/-5	+/-300	789	100	76	1500	H
SPBWD-0512	4.5-9	+/-12	+/-125	779	100	77	1500	H
SPBWD-0515	4.5-9	+/-15	+/-100	779	100	75	1500	H
SPBWS-1203.3(-3K)	9-18	3.3	700	263	45	73	1500(3000)	H
SPBWS-1205(-3K)	9-18	5	600	336	45	74	1500(3000)	H
SPBWS-1209(-3K)	9-18	9	333	320	45	78	1500(3000)	H
SPBWS-1212(-3K)	9-18	12	250	320	45	78	1500(3000)	H
SPBWS-1215(-3K)	9-18	15	200	310	45	81	1500(3000)	H
SPBWD-1205	9-18	+/-5	+/-300	324	45	77	1500	H
SPBWD-1212	9-18	+/-12	+/-125	320	45	78	1500	H
SPBWD-1215	9-18	+/-15	+/-100	320	45	78	1500	H
SPBWS-2403.3(-3K)	18-36	3.3	700	128	20	75	1500(3000)	H
SPBWS-2405(-3K)	18-36	5	600	162	20	77	1500(3000)	H
SPBWS-2409(-3K)	18-36	9	333	152	20	82	1500(3000)	H
SPBWS-2412(-3K)	18-36	12	250	158	20	79	1500(3000)	H
SPBWS-2415(-3K)	18-36	15	200	154	20	81	1500(3000)	H
SPBWD-2405	18-36	+/-5	+/-300	162	20	77	1500	H
SPBWD-2412	18-36	+/-12	+/-125	158	20	79	1500	H
SPBWD-2415	18-36	+/-15	+/-100	158	20	79	1500	H
SPBWS-4803.3(-3K)	36-75	3.3	700	66	12	73	1500(3000)	H
SPBWS-4805(-3K)	36-75	5	600	81	12	77	1500(3000)	H
SPBWS-4809(-3K)	36-75	9	333	80	12	78	1500(3000)	H
SPBWS-4812(-3K)	36-75	12	250	79	12	79	1500(3000)	H
SPBWS-4815(-3K)	36-75	15	200	76	12	82	1500(3000)	H
SPBWS-4824(-3K)	36-75	24	125	79	12	79	1500(3000)	H
SPBWD-4805	36-75	+/-5	+/-300	81	12	77	1500	H
SPBWD-4812	36-75	+/-12	+/-125	79	12	79	1500	H
SPBWD-4815	36-75	+/-15	+/-100	79	12	79	1500	H

¹⁵ **NOMINAL INPUT VOLTAGE.**

¹⁶ **NOMINAL INPUT VOLTAGE, FULL LOAD.**

¹⁷ **1500VDC for 10 seconds 3000VDC for 3 seconds.**

● **SELECTION GUIDE (5)**
4:1 3W OUTPUT

MODEL NUMBER	INPUT VOLTAGE (VDC)	OUTPUT VOLTAGE (VDC)	OUTPUT CURRENT (mA)	INPUT ¹⁸		EFF (%) ¹⁹	ISOLATION ²⁰ (VDC)	PACKAGE
				CURRENT(mA)				
				FULL LOAD	NO LOAD			
SPBWS-1205T	9-36	5	600	313	40	80	1500	K
SPBWS-1209T	9-36	9	333	312	40	80	1500	K
SPBWS-1212T	9-36	12	250	305	40	82	1500	K
SPBWS-1215T	9-36	15	200	305	40	82	1500	K
SPBWS-2405T	18-75	5	600	156	20	80	1500	K
SPBWS-2409T	18-75	9	333	156	20	80	1500	K
SPBWS-2412T	18-75	12	250	152	20	82	1500	K
SPBWS-2415T	18-75	15	200	152	20	82	1500	K

Note: Other input to output voltages may be available. Please contact factory.

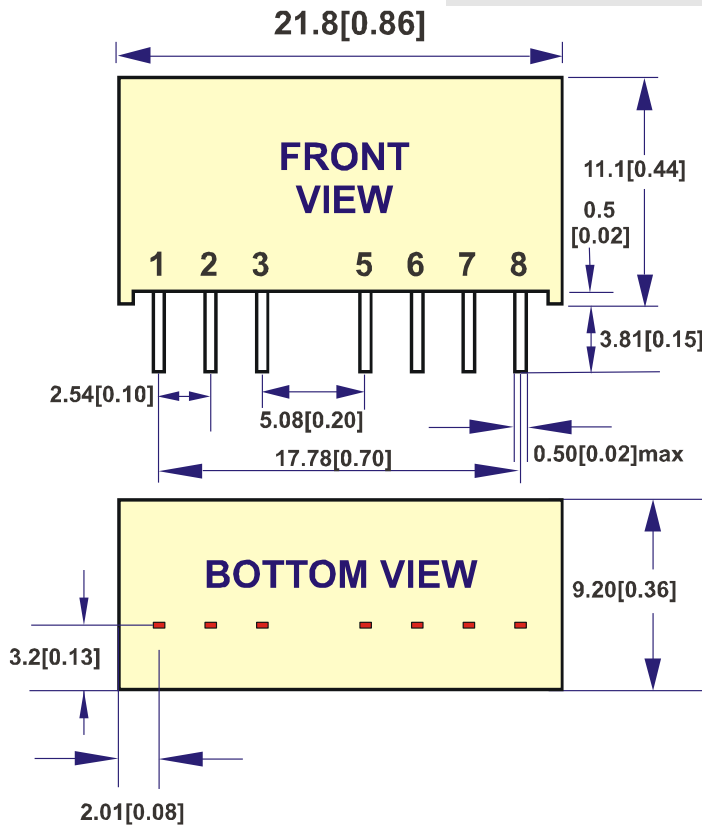
¹⁸ **NOMINAL INPUT VOLTAGE.**

¹⁹ **NOMINAL INPUT VOLTAGE, FULL LOAD.**

²⁰ **1500VDC for 10 seconds 3000VDC for 3 seconds.**

● **MECHANICAL DIMENSIONS (1) & RECOMMENDED FOOTPRINT DETAILS**

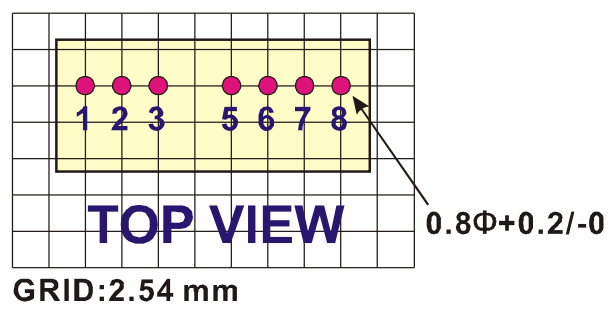
PACKAGE "H"



PIN	SINGLE	DUAL
1	-Vin	-Vin
2	+Vin	+Vin
3	Remote On/Off	Remote On/Off
5	NC	NC
6	+Vout	+Vout
7	-Vout	Com
8	NC	-Vout

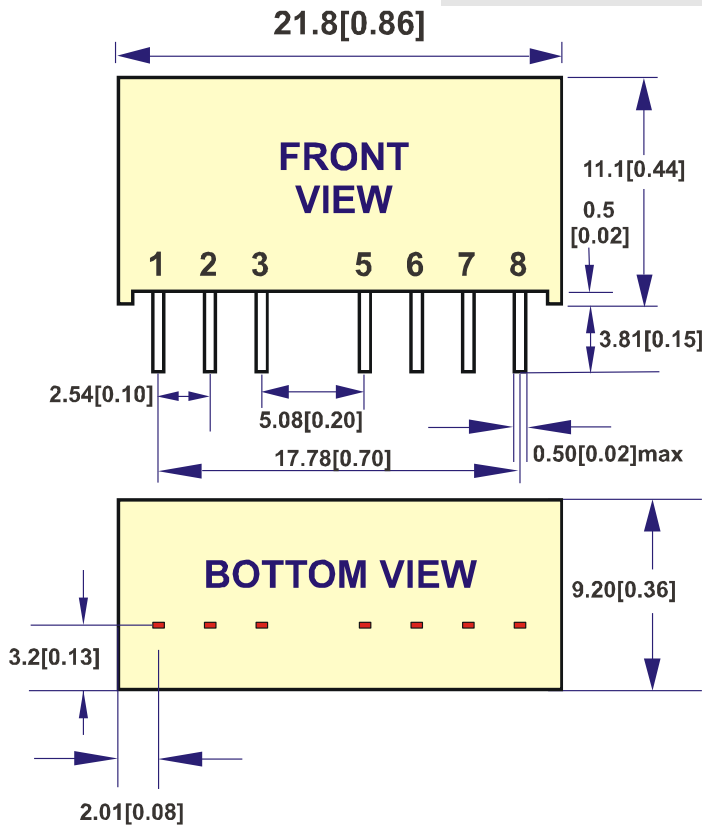
NOTE : All dimensions are in mm[inches]
 1. Pin Size is 0.50x0.30mm[0.02x0.01"]
 2. Pin is Tolerance .XX= ±0.05mm
 3. Tolerance .X or .XX= ±0.5mm

All dimensions are in mm[inches]



● **MECHANICAL DIMENSIONS (2) & RECOMMENDED FOOTPRINT DETAILS**

PACKAGE "J"



PIN	SINGLE
1	-Vin
2	+Vin
3	Remote On/Off
5	NC
6	+Vout
7	-Vout
8	CS ²¹

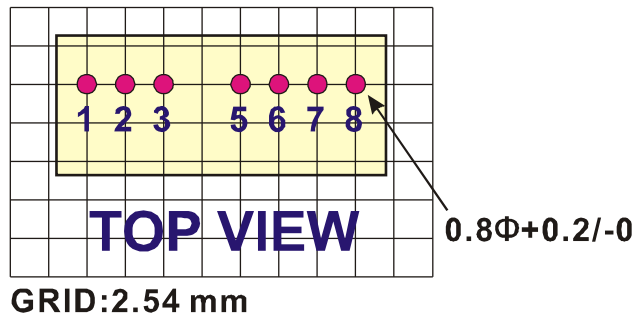
NOTE : All dimensions are in mm[inches]

1. Pin Size is 0.50x0.30mm[0.02x0.01"]

2. Pin is Tolerance .XX= ±0.05mm

3. Tolerance .X or .XX= ±0.5mm

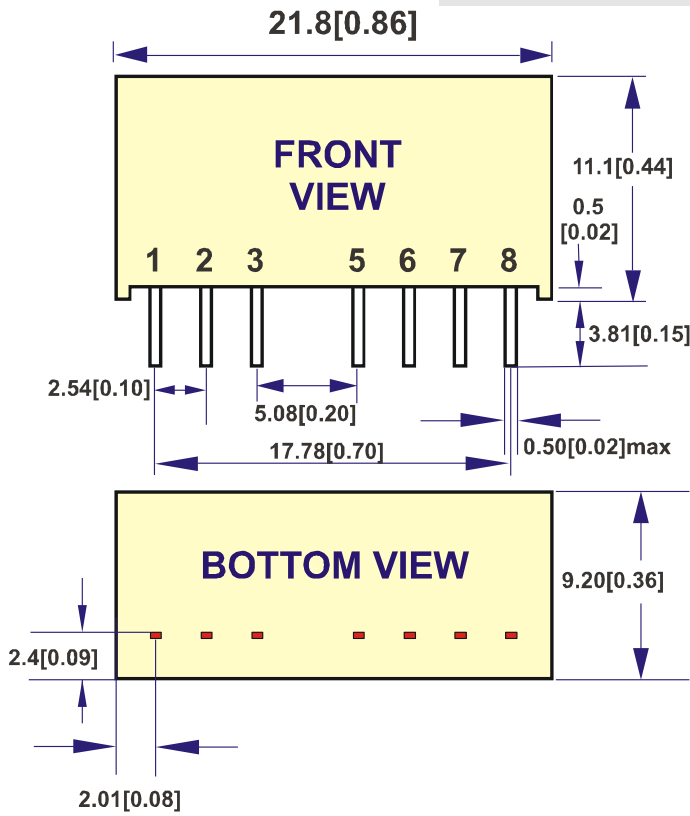
All dimensions are in mm[inches]



²¹Additional capacitance can be added from this pin to pin7. Any lower ESR capacitor will remove ripple and noise to some degree. The desired ripple figure. Values can be up to 100 μF.

● **MECHANICAL DIMENSIONS (3) & RECOMMENDED FOOTPRINT DETAILS**

PACKAGE "K"



PIN	SINGLE
1	-Vin
2	+Vin
3	Remote On/Off
5	NC
6	+Vout
7	-Vout
8	NC

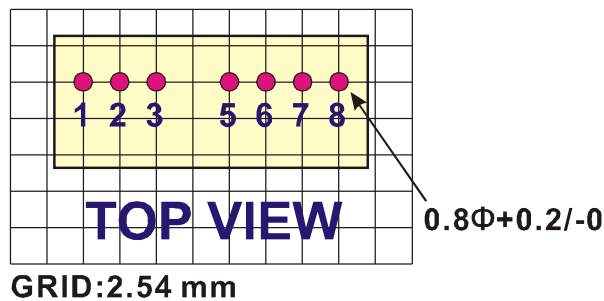
NOTE : All dimensions are in mm[inches]

1. Pin Size is 0.50x0.30mm[0.02x0.01"]

2. Pin is Tolerance .XX= ±0.05mm

3. Tolerance .X or .XX= ±0.5mm

All dimensions are in mm[inches]

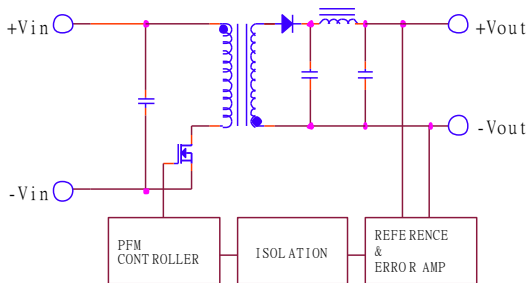


● **Table1 (Remote On/Off Control)**

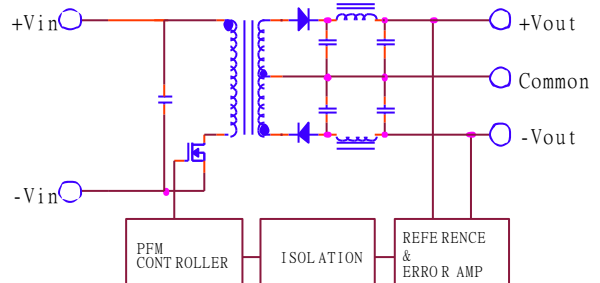
Remote On/Off Control		
Parameter	Min.	Max.
Supply On	Under 1 VDC or Open Circuit	
Supply Off	4VDC	
Standby Input Current		0.2mA
Control Input Current(On)		-0.5mA
Control Input Current(Off)		5mA
Control Common	Referenced to -Vin (pin 2&3)	

● **SIMPLIFIED SCHEMATIC**

SINGLE OUTPUT

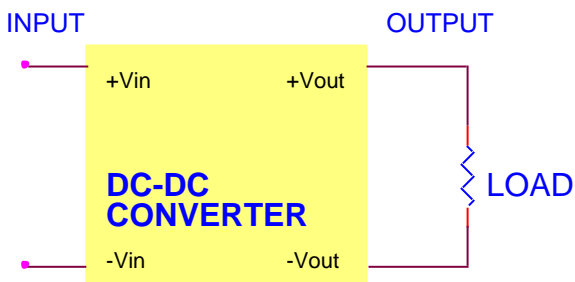


DUAL OUTPUT

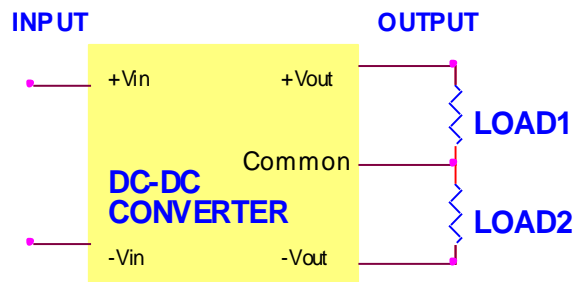


● **TYPICAL APPLICATIONS**

SINGLE OUTPUT



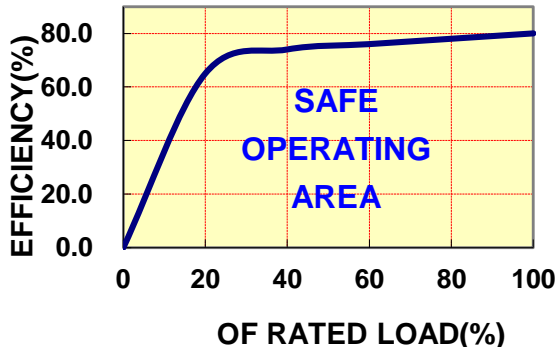
DUAL OUTPUT



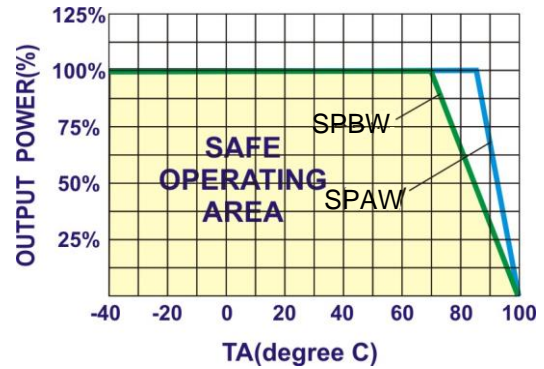
● TYPICAL PERFORMANCE CURVES

Specifications typical at TA=25 °C, nominal input voltage, rated output current unless otherwise specified.

OUTPUT LOAD VS EFFICIENCY



TEMPERATURE DERATING



● INPUT FUSE SELECTION GUIDE

4.5-9V INPUT VOLTAGE(VDC)	9-18V(9-36V) INPUT VOLTAGE(VDC)	18-36V(18-75V) INPUT VOLTAGE(VDC)	36-75V INPUT VOLTAGE(VDC)
2000mA Slow-Blow Type	1000mA Slow-Blow Type	500mA Slow-Blow Type	200mA Slow-Blow Type

Note: Certain applications may require the installation of external fuse in front of the input.

SPAW/SPBW SERIES APPLICATION NOTES:

EXTERNAL CAPACITANCE REQUIREMENTS:

No external capacitance is required for operation of the SPAW/SPBW series.

To meet the reflected ripple requirements of the converter, an input impedance of less than 0.5 ohm from DC to 100KHz is required.

External output capacitance is not required for operation, however it is recommended that 10uF tantalum and 0.1uF ceramic capacitance be selected for reduced system noise.

Additional output capacitance may be added for increased filtering, but should not exceed 220uF.

We Can Offer EMC-Filter According To EN55011/22 Class B.

Negative Outputs:

A negative output voltage may be obtained by connecting the +OUT to circuit ground and connecting -OUT as the negative output.