



size: 291*132*68mm

Features:

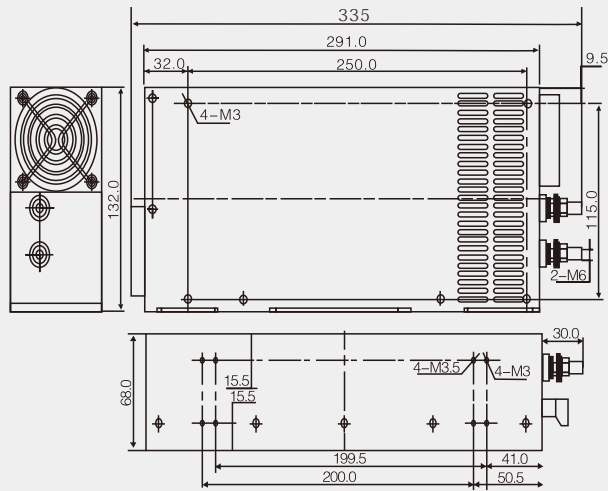
- AC input power source which is suitable for the whole world
- Protection, Short Circuit/Over Load/Over Voltage/Over Temp
Built-in EMI filter with tiny ripple
- 100% full load burn-in test
- Conform to CE/ROHS/ISO9001 Safety standards
- Complied with EN55022:2010+AC: 2010+AC: 2011/EN61000-3-2, EN61000-4-2,3,4,5,6,8,11/EN60950-1

SPECIFICATION

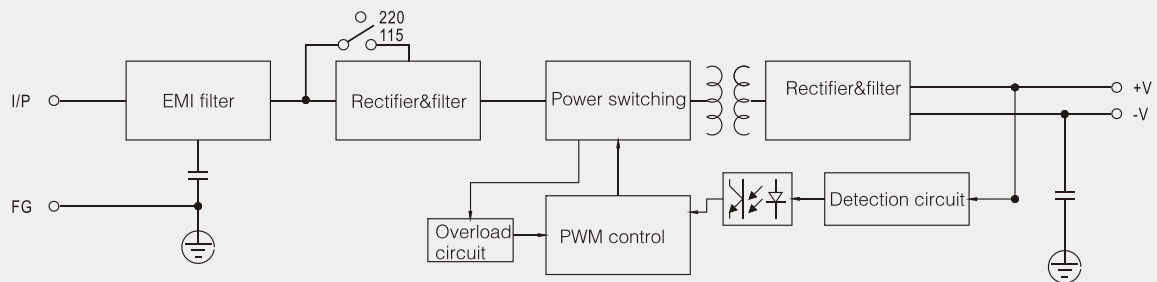


Model		SS - 1200-5	SS - 1200-12	SS - 1200-24	SS - 1200-250
Output	DC voltage	5V	12V	24V	250V
	Voltage tolerance	±2%	±1%	±1%	±1%
	Rated current	100A	100A	50A	4.8A
	Current range	0-100A	0-100A	0-50A	0-4.8A
	Rated power	1200W	1200W	1200W	1200W
	Ripple&noise	300mVp-p	240mVp-p	280mVp-p	330mVp-p
	DC voltage ADJ. range	0-6V	0-13V	0-25V	0-255V
Input	Setup, rise, hold up time	2000ms,50ms,20ms Full load			
	Voltage range	170~264VAC 47~63Hz Or 240~370VDC			
	AC current	8A/230V			
	Efficiency	78%	82%	84%	88%
	Inrush current	Cold start 60A/230V			
Protection	leakage current	<3.5mA/240VAC			
Environment	Overload	Rated output power 115%~135% Start overload protection			
	Working temp, humidity	-10°C~+60°C ; 20%~90%RH			
	Storage temp, humidity	-20°C~+85°C ; 20%~90%RH			
	Withstand vibration	10 ~ 500Hz, 2G 10min./1Cycle, Period for 60min, X,Y,Z Each axes			
Safety	Withstand voltage	I/P-O/P: 1.5KVAC I/P-FG: 1.5KVAC O/P-FG: 0.5KVAC			
	Isolation resistance	I/P-O/P: I/P-FG,O/P-FG: 100M Ohms/500VDC			
Fit standard	Safety standard	ISO9001			
	EMC Standard	CE ROHS			
Others	Dimension	2.4Kg			
	Weight	4pcs /9.6kg/0.9CUFT			
Note:	1. All parameters NOT specially mentioned are measured at 230VAC input, rated load and 25°C of ambient temperature. 2. Ripple & noise are measured at 20MHz of bandwidth by using a 12" twisted pair-wire terminated with a 0.1uf & 47uf parallel capacitor. 3. Tolerance : includes set up tolerance, line regulation and load regulation.				

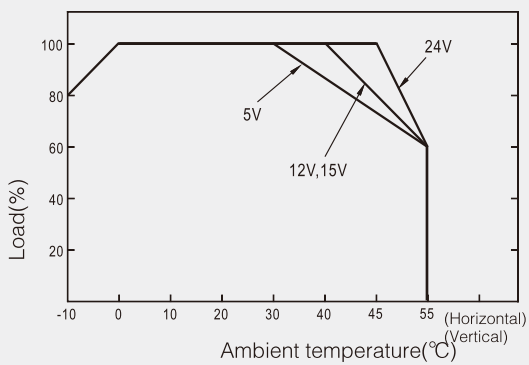
Mechanical specification
Unit:mm



Block diagram



Derating curve



Static characteristic

